

High-end Full Color Laser Projector for Professional Applications

Projector Housing



Laser System

Modular laser system based on unique red and blue laser diode modules manufactured by LaserAnimation combined with green LaserAnimation module (PD: Pure Diode) or green Genesis TAIPAN OPSL by Coherent Inc.

Typical wavelengths: 638 nm | 520 nm / 532 nm | 445 nm

Type: CW analog modulated

Beam Diameter: 3 mm

Divergence (full angle): < 1 mrad

Laser class: 4

Models

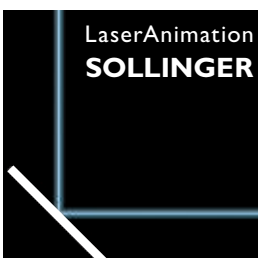
PHAENON X	Enclosure	Specified Output @ Source [mW]					
		Total	Red Module	Green Module	Green Taipan OPSL	Cyan Taipan OPSL	Blue Module
Mini 5000 PD	Mini	11,200	3200 ¹⁾	4000	-	-	4000 ³⁾
Mini 7000 PD	Mini	16,800	4800 ²⁾	4000	-	-	8000 ⁴⁾
Mini 5500	Mini	16,200	3200 ¹⁾	-	5000	-	8000 ⁴⁾
Mini 7000	Mini	20,800	4800 ²⁾	-	8000	-	8000 ⁴⁾

¹⁾ Array with 16 red laser diodes a 200 mW

²⁾ Array with 24 red laser diodes a 200 mW

³⁾ Array with 2 blue laser diodes a 2000 mW

⁴⁾ Array with 4 blue laser diodes a 2000 mW



**MADE
IN
GERMANY**
used worldwide



Technical specifications subject to change without prior notice!

Laser Safety

- Electronic mask to define protected areas in a laser projection using controlling software
- Scanfail safety circuit
- Physical adjustable beam blocker
- Key switch, interlock loop, emission LED

High-end Components

- CT 6210H X,Y scanners with LaserAnimation's high-speed TurboScan drivers
Scan system speed: 40 k ILDA 8°
Aperture: 4 mm
Projection angle: 80° maximum, 50° typical
Reaction time (2° opt. step): < 0.2 ms
- Motorized beam adjustment for comfortable adjusting the superposition of the colored beams
- Grating module for extraordinary background effects (optional)
- Laser show controller Lasergraph DSP PCB (optional)

Control

- LA Toolbox software for Windows as well as MAC OS X 10.6 or later

Climate Components

- Generously dimensioned heat sink as base for all temperature relevant components
- Peltier elements for either heating and cooling
- Temperature controlled low noise fans with high efficiency

Thermal

- Max. ambient temperature: 50°C
- Min. ambient temperature: - 5°C

Standardized Connectors

- AC Mains Connector: Neutrik PowerCon
- Projector Signal, analog: ILDA In D-sub 25, differential inputs
- Remote: 7pin XLR (RS232, external key switch, interlock)
- DMX In / Thru / Out: 5pin XLR
- LAN

Electrical Input

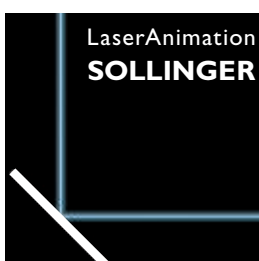
- Universal input 85 VAC - 264 VAC, 50 – 60 Hz
- Input power: 700 W maximum

Compliance

CE, CDRH ready

Warranty

12 months after delivery



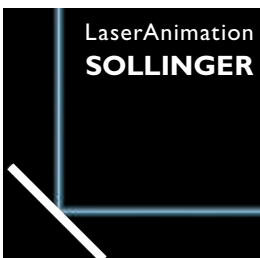
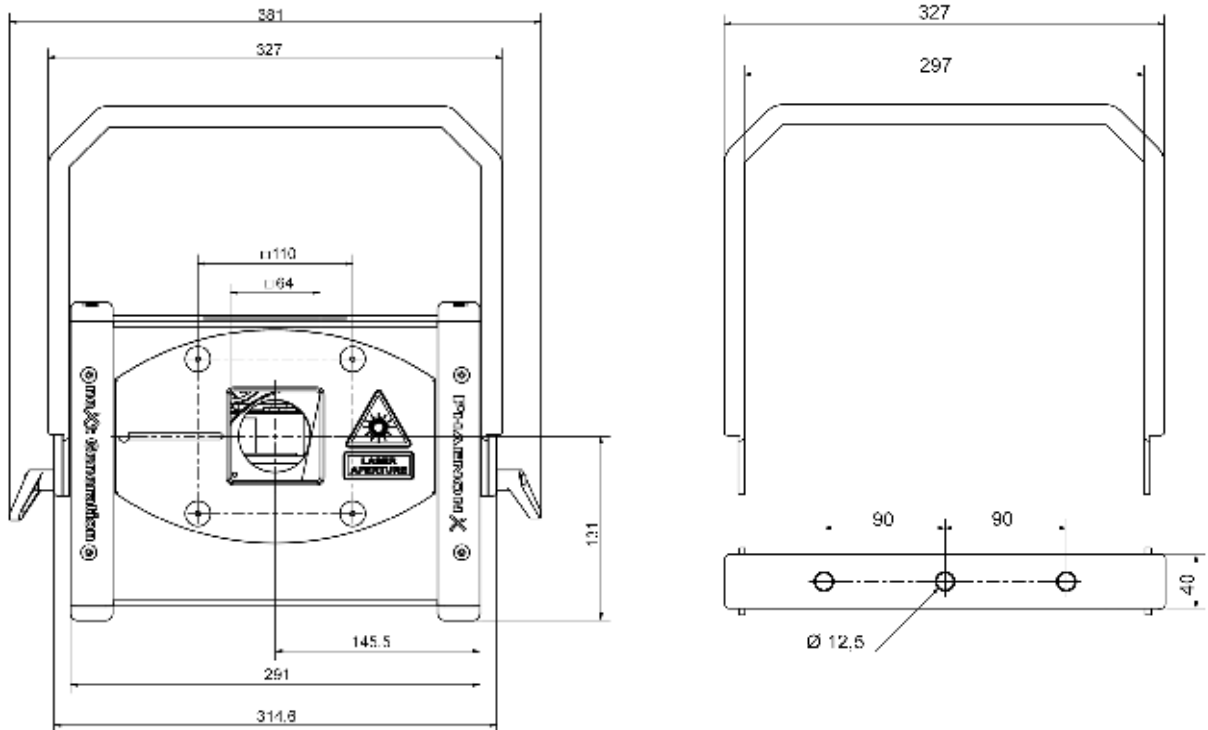
Technical specifications subject to change without prior notice!

**Package
PHAENON X Mini**

	Type	Picture	Dimensions [cm]
Standard	Alu case 80 l		external: 69 x 45,5 x 32 internal: 66.8 x 42.8 x 28.5 weight: 5 kg
Optional	bwh Casys Box No. 2		external: 60.5 x 44.5 x 43.5 internal: 51 x 36 x 26.5 weight: 5.2 kg
	Peli Case 1620		external: 63 x 49,2 x 35,2 internal: 54.3 x 41.4 x 31.9 weight: 11.1

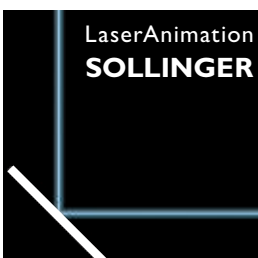
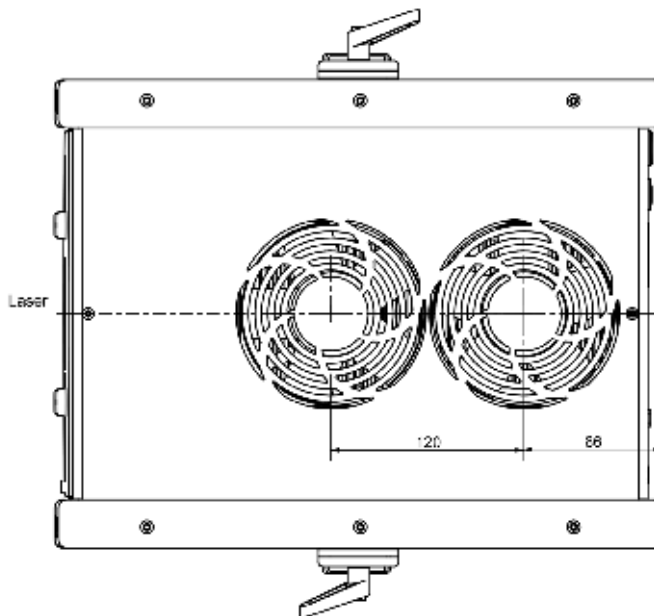
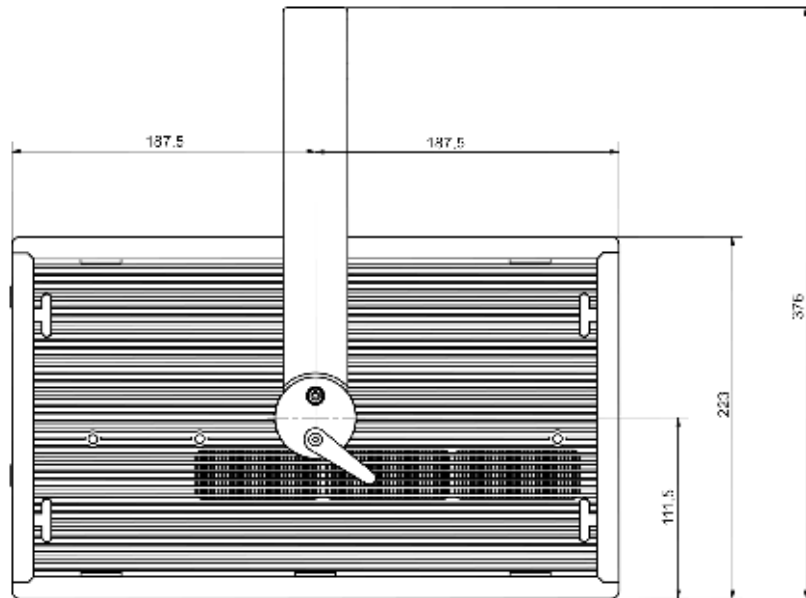
**Physical
PHAENON X Mini**

- Length: 375 mm
- Width: 291 mm
- Height: 223 mm (without yoke)
- Weight: Approx. 22 kg
- Housing: Dustproof, black anodized Aluminum with plastic edges
- Degree of protection: IP54
- Extra stable stainless steel yoke for truss mounting and loop for safety rope
- Integrated output window protector



Technical specifications subject to change without prior notice!

Physical
PHAENON X Mini



Technical specifications subject to change without prior notice!