

High-end Full Color Laser Projector for Professional Application

Projector Housing



Laser System

All Taipan based laser system using Genesis TAIPAN OPSL by Coherent Inc., hybrid* projectors including additional blue laser diode module manufactured by LaserAnimation.

Typical wavelengths: 638 nm | 577 nm | 532 nm | 488 nm / 480 nm | 445 nm

Type: CW analog modulated

Beam Diameter: 3 mm

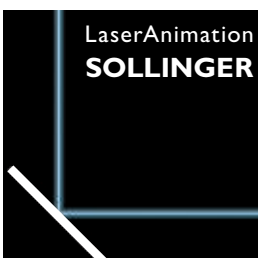
Divergence (full angle): < 1 mrad

Laser class: 4

Models

PHAENON X AT	Enclosure	Specified Output @ Source [mW]					
		Total	Red OPSL	Yellow OPSL	Green OPSL	Cyan OPSL	Blue Module
RGB 9500 (OPSL HD)	longish	9,500	2500	-	5000	-	2000
RGB 12500	longish	12,500	2500	-	8000	-	2000
RYGB 25000*	longish	27,000	5000	6000	8000	-	8000*
RYGCB 30000*	longish	34,000	5000	6000	10000	5000	8000*

*hybrid system with blue LaserAnimation laser modules



**MADE
IN
GERMANY**
used worldwide



Technical specifications subject to change without prior notice!

Laser Safety

- Electronic mask to define protected areas in a laser projection using controlling software
- Scanfail safety circuit
- Physical adjustable beam blocker
- Key switch, interlock loop, emission LED

High-end Components

- CT 6210H X,Y scanners with LaserAnimation's high-speed TurboScan drivers
Scan system speed: 40 k ILDA 8°
Aperture: 4 mm
Projection angle: 80° maximum, 50° typical
Reaction time (2° opt. step): < 0.2 ms
- Motorized beam adjustment for comfortable adjusting the superposition of the colored beams
- Grating module for extraordinary background effects (optional)
- Laser show controller Lasergraph DSP PCB (optional)

Control

- LA Toolbox software for Windows as well as MAC OS X 10.6 or later

Climate Components

- Generously dimensioned heat sink as base for all temperature relevant components
- Peltier elements for either heating and cooling
- Temperature controlled low noise fans with high efficiency

Thermal

- Max. ambient temperature: + 50°C
- Min. ambient temperature: - 5°C

Standardized Connectors

- AC Mains Connector: Neutrik PowerCon
- Projector Signal, analog: ILDA In D-sub 25, differential inputs
- Remote: 7pin XLR (RS232, external key switch, interlock)
- DMX In / Thru / Out: 5pin XLR
- LAN

Electrical Input

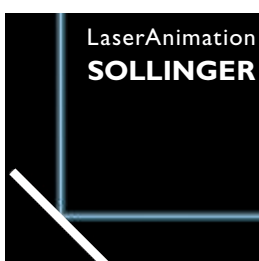
- Universal input: 85 VAC - 264 VAC, 50 – 60 Hz
- Input power: 1200 W maximum

Compliance

CE, CDRH ready

Warranty

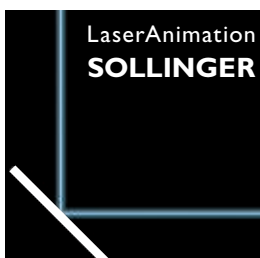
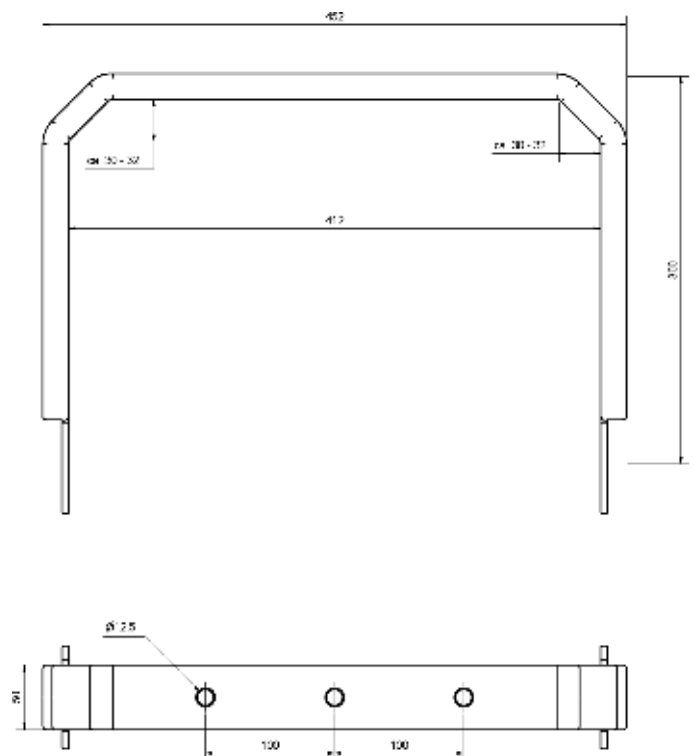
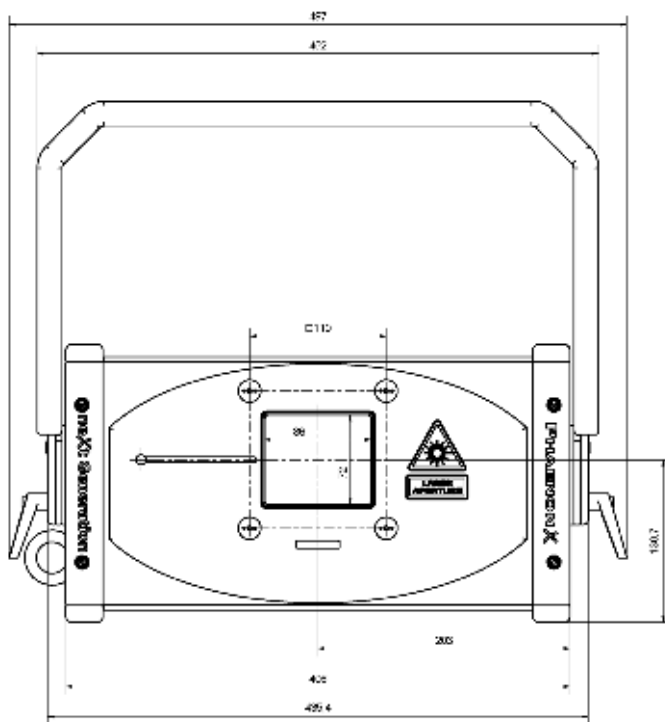
12 months after delivery



Technical specifications subject to change without prior notice!

Physical
PHAENON X Pro
Longish

- Length: 620 mm
- Width: 406 mm
- Height: 223 mm (without yoke)
- Weight: 43 kg maximum
- Housing: Dustproof, black anodized Aluminum with plastic edges
- Degree of protection: IP54
- Extra stable stainless steel yoke for truss mounting and loop for safety rope
- Integrated output window protector

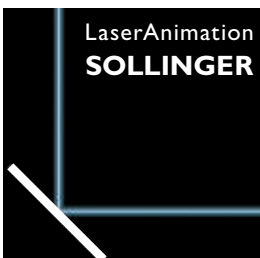
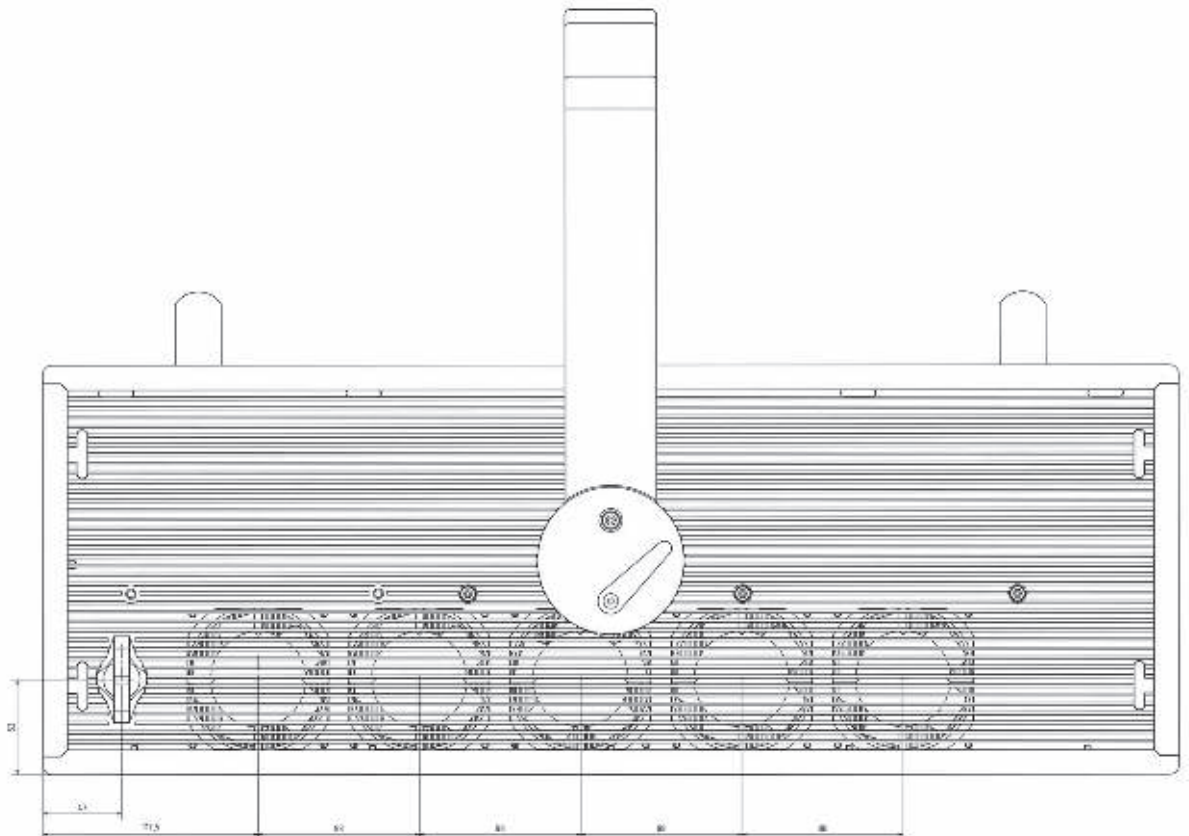
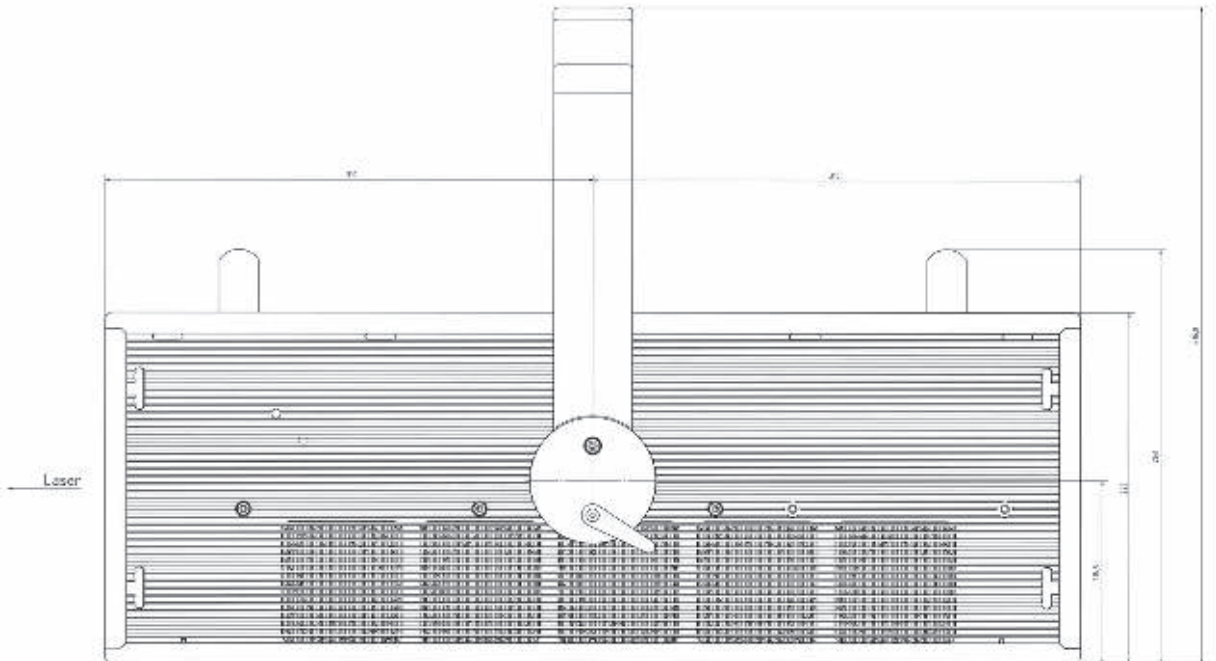


MADE
IN
GERMANY
used worldwide




Technical specifications subject to change without prior notice!

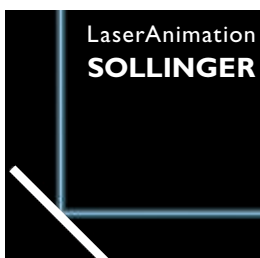
Physical
PHAENON AT Pro
Longish



Technical specifications subject to change without prior notice!

Package
PHAENON X Pro
Longish

	Type	Picture	Dimensions [cm]
Standard	Peli Case 1630		external: 79,4 x 61,5 x 44,4 internal: 70,3 x 53,3 x 39,4 weight: 16.3 kg



MADE
IN
GERMANY
used worldwide



Technical specifications subject to change without prior notice!