

High-end Full Color Laser Projector for Professional Applications

Projector Housing



Laser System

Modular laser system based on unique red and blue laser diode modules manufactured by LaserAnimation combined with green and additionally yellow or orange and cyan Genesis TAIPAN OPSL by Coherent Inc.

Typical wavelengths: 638 nm | 577 nm / 590 nm | 532 nm | 488 nm / 480 nm | 445 nm
 Type: CW analog modulated
 Beam Diameter: 3 mm
 Divergence (full angle): < 1 mrad
 Laser class: 4

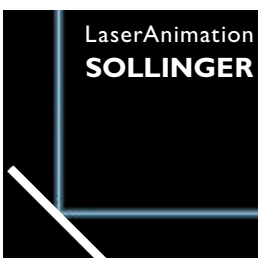
Models

PHAENON X	Enclosure	Specified Output @ Source [mW]					
		Total	Red Module	Yellow / Orange Taipan OPSL	Green Taipan OPSL	Cyan Taipan OPSL	Blue Module
Pro 11500	compact	22,400	6400 ¹⁾	-	8000	-	8000 ³⁾
Pro 24000	compact	25,600	9600 ²⁾	-	8000	-	8000 ³⁾
Pro 15500 O	compact	25,400	6400 ¹⁾	3000	8000	-	8000 ³⁾
Pro 15500 Y	compact	27,400	6400 ¹⁾	5000	8000	-	8000 ³⁾
Pro 30000	compact	31,600	9600 ²⁾	6000	8000	-	8000 ³⁾
Pro 35000	longish	36,600	9600 ²⁾	6000	8000	5000	8000 ³⁾

¹⁾ Array with 32 red laser diodes a 200 mW

²⁾ Array with 48 red laser diodes a 200 mW

³⁾ Array with 4 blue laser diodes a 2000 mW



**MADE
IN
GERMANY**
used worldwide



Technical specifications subject to change without prior notice!

Laser Safety

- Electronic mask to define protected areas in a laser projection using controlling software
- Scanfail safety circuit
- Physical adjustable beam blocker
- Key switch, interlock loop, emission LED

High-end Components

- CT 6210H X,Y scanners with LaserAnimation's high-speed TurboScan drivers
 - Scan system speed: 40 k ILDA 8°
 - Aperture: 4 mm
 - Projection angle: 80° maximum, 50° typical
 - Reaction time (2° opt. step): < 0.2 ms
- Motorized beam adjustment for comfortable adjusting the superposition of the colored beams
- Grating module for extraordinary background effects (optional)
- Laser show controller Lasergraph DSP PCB (optional)

Control

- LA Toolbox software for Windows as well as MAC OS X 10.6 or later

Climate Components

- Generously dimensioned heat sink as base for all temperature relevant components
- Peltier elements for either heating and cooling
- Temperature controlled low noise fans with high efficiency

Thermal

- Max. ambient temperature: + 50°C
- Min. ambient temperature: - 5°C

Standardized Connectors

- AC Mains Connector: Neutrik PowerCon
- Projector Signal, analog: ILDA In D-sub 25, differential inputs
- Remote: 7pin XLR (RS232, external key switch, interlock)
- DMX In / Thru / Out: 5pin XLR
- LAN

Electrical Input

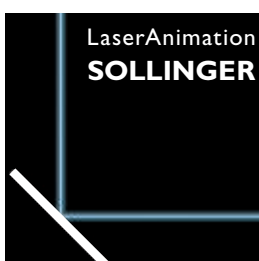
- Universal input: 85 VAC - 264 VAC, 50 – 60 Hz
- Input power: 1000 W maximum

Compliance

CE, CDRH ready

Warranty

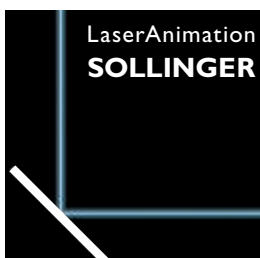
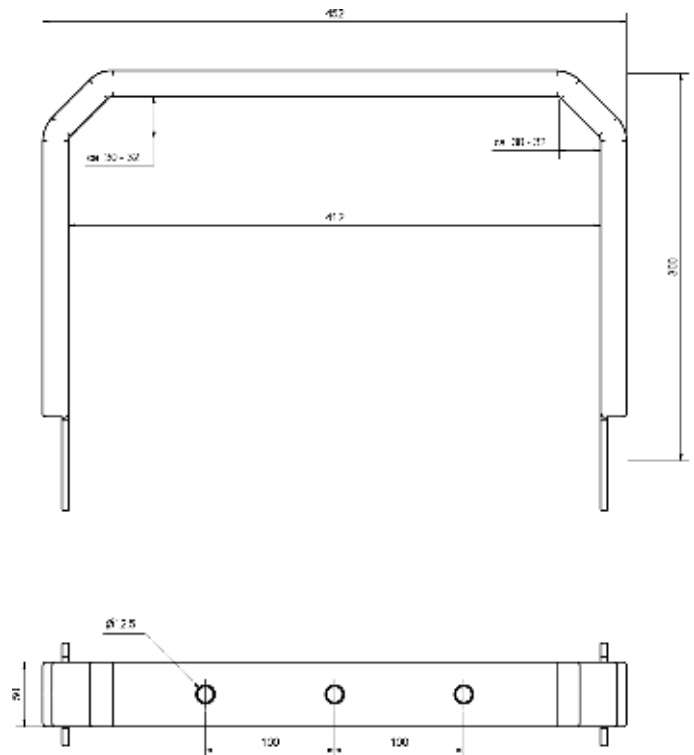
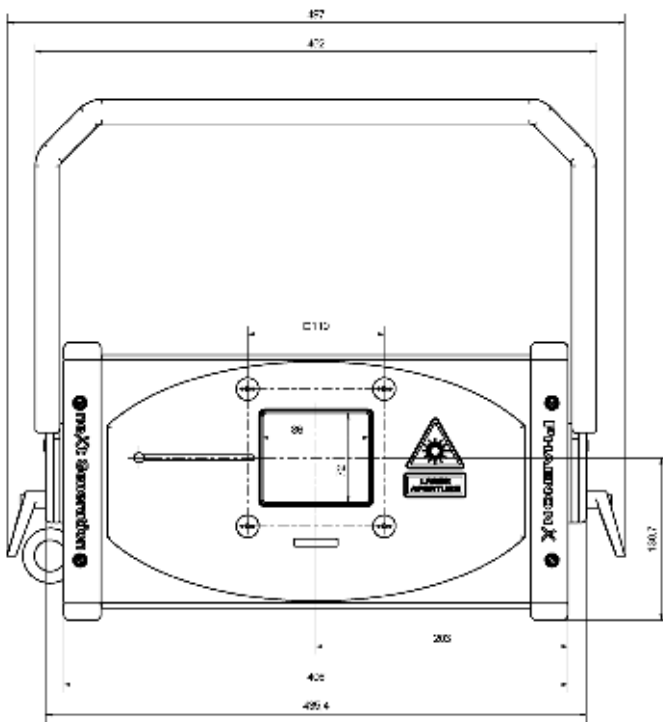
12 months after delivery



Technical specifications subject to change without prior notice!

**Physical
PHAENON X Pro**

- Length: 420 mm
- Width: 406 mm
- Height: 223 mm (without yoke)
- Weight: 32 kg maximum
- Housing: Dustproof, black anodized Aluminum with plastic edges
- Degree of protection: IP54
- Extra stable stainless steel yoke for truss mounting and loop for safety rope
- Integrated output window protector

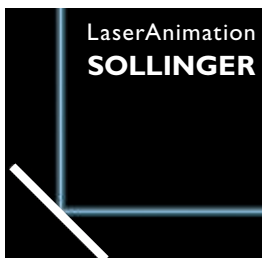
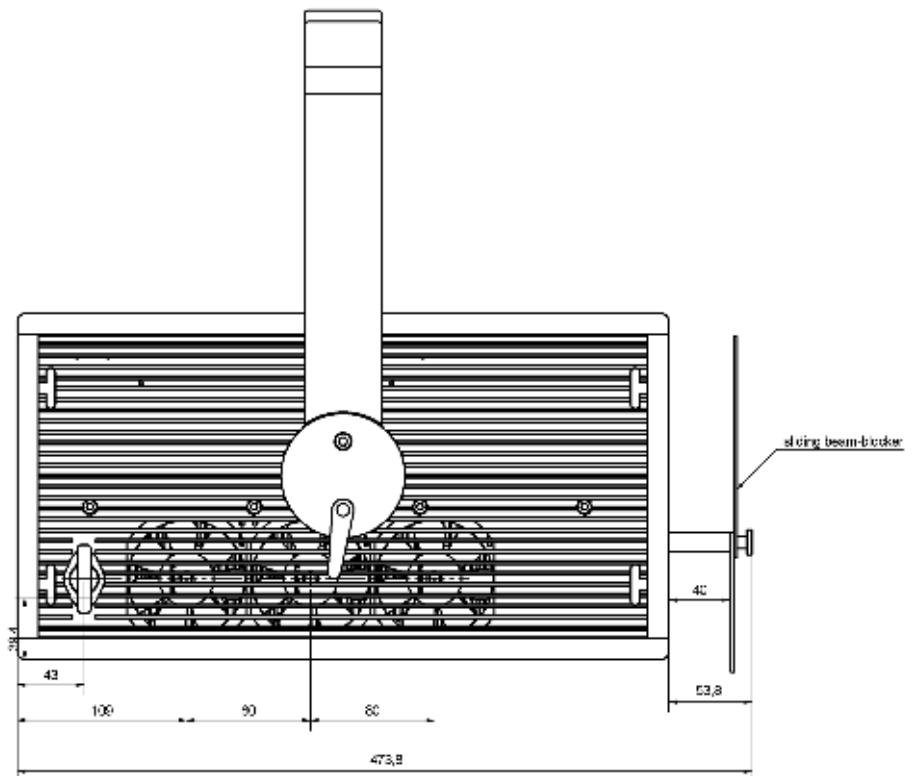
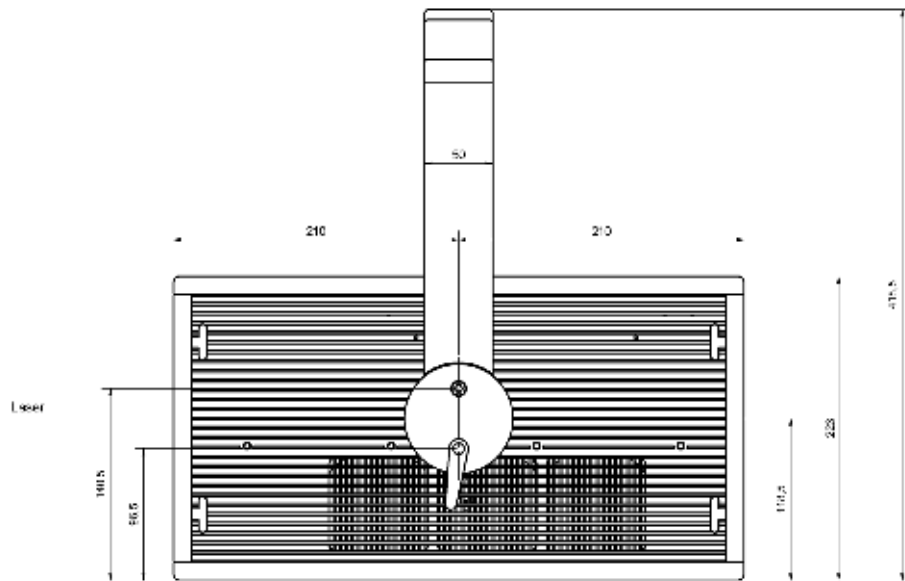


**MADE
IN
GERMANY**
used worldwide





Technical specifications subject to change without prior notice!

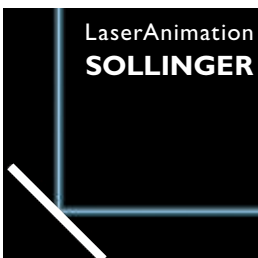
Physical
PHAENON X Pro



Technical specifications subject to change without prior notice!

Package
PHAENON X Pro

	Type	Picture	Dimensions [cm]
Standard	Alu case 130 l		external: 80,0 x 54,0 x 26,5 internal: 77,5 x 51,0 x 33,0 weight: 6.6 kg
Optional	Peli Case 1640		external: 69,1 x 69,9 x 41,4 internal: 60,2 x 61,0 x 35,3 weight: 15.4



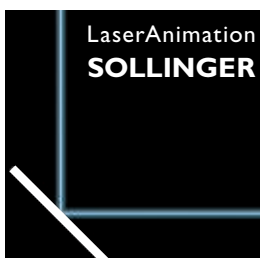
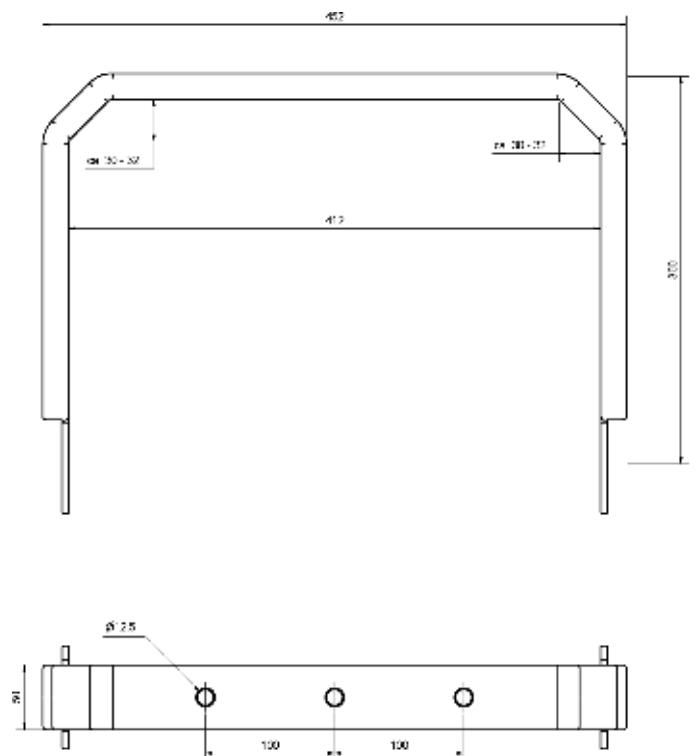
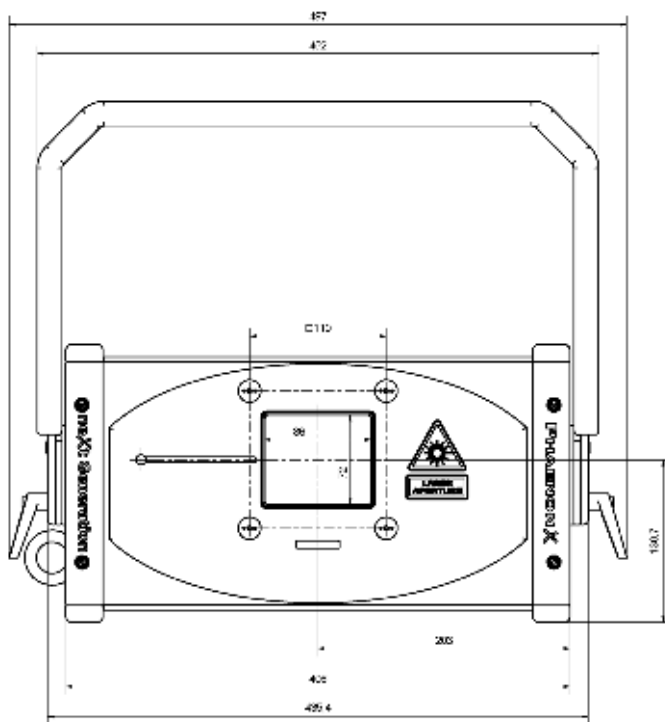
**MADE
IN
GERMANY**
used worldwide



Technical specifications subject to change without prior notice!

Physical
PHAENON X Pro
Longish

- Length: 620 mm
- Width: 406 mm
- Height: 223 mm (without yoke)
- Weight: 43 kg maximum
- Housing: Dustproof, black anodized Aluminum with plastic edges
- Degree of protection: IP54
- Extra stable stainless steel yoke for truss mounting and loop for safety rope
- Integrated output window protector

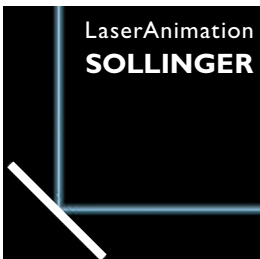
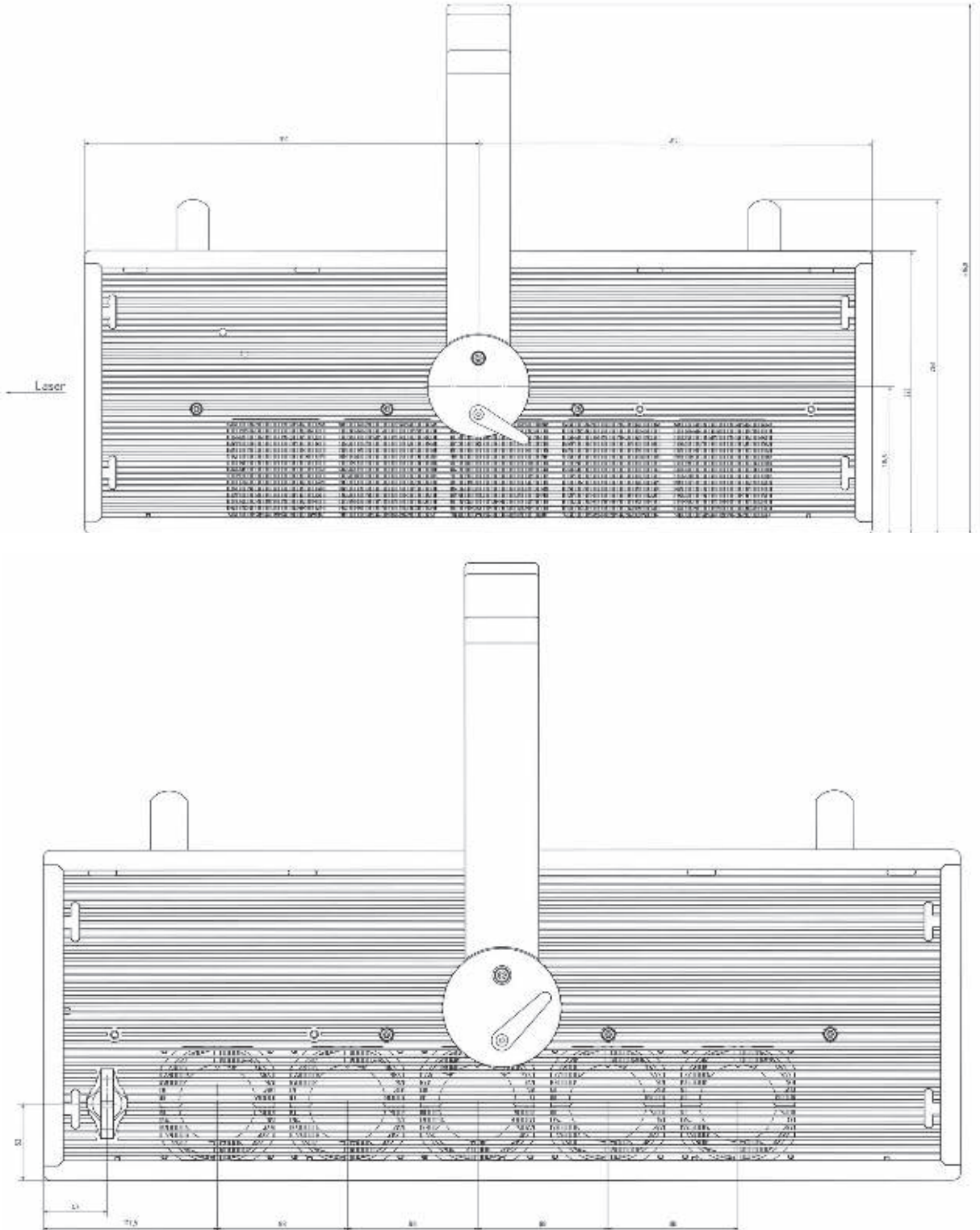


MADE
IN
GERMANY
used worldwide




Technical specifications subject to change without prior notice!

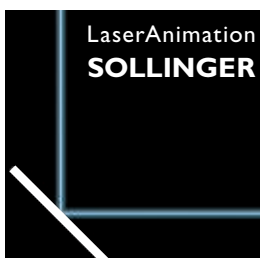
Physical
PHAENON X Pro
Longish



Technical specifications subject to change without prior notice!

Package
PHAENON X Pro
Longish

	Type	Picture	Dimensions [cm]
Standard	Peli Case 1630		external: 79,4 x 61,5 x 44,4 internal: 70,3 x 53,3 x 39,4 weight: 16.3 kg



MADE
IN
GERMANY
used worldwide



Technical specifications subject to change without prior notice!